



**Count on it.**

**Parts Catalog**

**TITAN® ZX 5400 Zero-Turn-Radius  
Riding Mower**

Model No. 74848—Serial No. 316000001 and Up



# Ordering Replacement Parts

To order replacement parts, please supply the part number, the quantity, and the description of each part desired.

## Understanding Reference Numbers

Each identified part in an illustration has a reference number. The reference number for a part also appears in the parts list, along with other information about the part.

This catalog uses two special reference number formats, one to indicate parts in a service assembly and another to indicate the quantity of a given part in an illustration.

## Service Assembly Reference Numbers

Parts in service assemblies have reference numbers in the form a:b. The a represents the reference number of the entire service assembly and the b represents a sequential number unique to each part within the service assembly.

For example, a wheel assembly might be identified by reference number 6, the tire by 6:1, the valve by 6:2, and the wheel by 6:3. When you order the assembly identified by reference number 6, you receive all parts identified by reference numbers 6:1, 6:2, and 6:3. However, you may also order any part individually. Reference numbers of this type appear in illustration and in parts lists.

## Reference Numbers Indicating Quantity

In an illustration, if a reference number indicates more than one part, the reference number has the form nX y. The n represents the quantity of the part, the X is the multiplication symbol, and the y represents the reference number.

For example, in an illustration, the reference number 2X 37 means that two of the parts identified by reference number 37 are indicated.

# List of Abbreviations

**AR:** as required

**ASM:** assembly

**BBC:** blade brake control

**BHTF:** button head thread forming

**CARR:** carriage

**CCW:** counter clockwise

**CW:** clockwise

**DEG:** degrees

**DPA:** Dual Point Adjustment

**ECM:** electronic control module

**EXT:** external

**FH:** flat head

**GA:** gauge

**HD:** heavy-duty

**HF:** hex flange

**HH:** hex head

**HHF:** hex head flange

**HHFTF:** hex head flange thread forming

**HJ:** hex jam

**HLH:** hex lag head

**HOC:** height-of-cut

**HP:** high pressure

**HSBH:** hex socket button head

**HSFH:** hex socket flat head

**HSH:** hex socket head

**HWH:** hex washer head

**HWHTF:** hex washer head thread forming

**HYD:** hydraulic

**LH:** left hand

**LP:** low pressure

**LPG:** Liquefied Petroleum Gas

**NI:** nylon insert

**NPTF:** national pipe thread fine

**PFH:** phillips flat head

**PPH:** phillips pan head

**PPHTF:** phillips pan head thread forming

**PRH:** phillips round head

**PTH:** phillips truss head

**PTO:** power-take-off

**RH:** right hand

**ROPS:** roll-over protection system

**RRB:** rear roller brush

**SFH:** slotted fillister head

**SHH:** slotted hex head

**SHWH:** slotted hex washer head

**SPH:** slotted pan head

**SQH:** square head

**SRH:** slotted round head

**STD:** standard

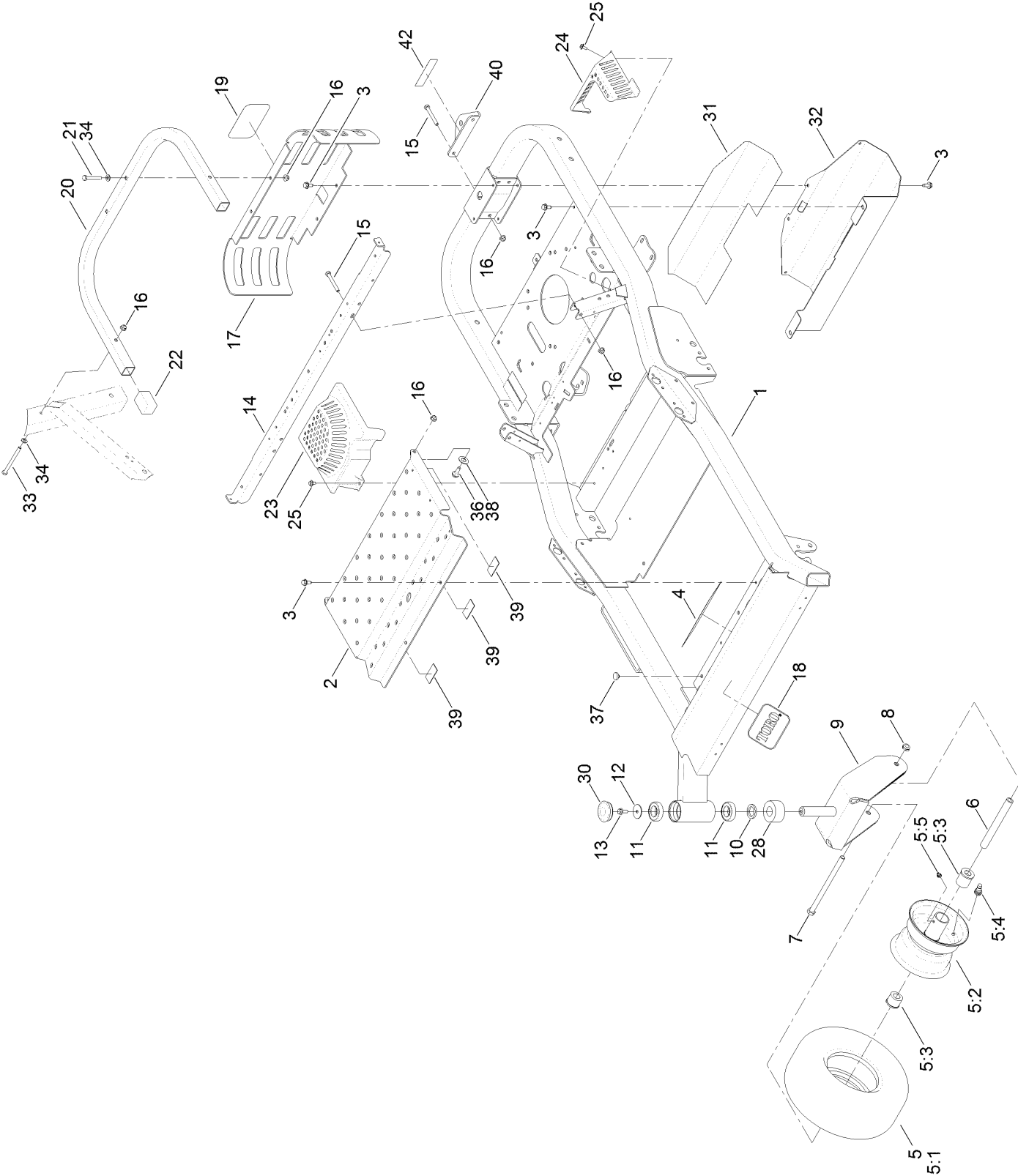
**TAP:** self tapping

**TTH:** torx truss head

# Contents

Frame, Front Axle and Caster Wheel Assembly .....	4
Control Panel and Body Styling Pod Assembly .....	6
Deck Lift Assembly .....	8
Seat Assembly .....	10
Seat Assembly No. 131-4147 .....	12
Traction Drive Assembly .....	14
LH Hydro Transmission Assembly No. 127-3381 .....	16
RH Hydro Transmission Assembly No. 127-3382 .....	18
Motion Control Assembly .....	20
Brake Link Assembly .....	22
Engine, Muffler and Clutch Assembly .....	24
Fuel Delivery Assembly .....	26
Fuel Tank Assembly No. 117-7352 .....	28
Roll-Over Protection System Assembly .....	30
Electrical Assembly .....	32
54 Inch Deck Assembly .....	34
54 Inch Deck Assembly No. 131-4141 .....	36
54 Inch Deck, Belt and Mulch Blade Assembly .....	38
54 Inch Deck Baffle Assembly .....	40
Attachments and Accessories .....	42

# Frame, Front Axle and Caster Wheel Assembly

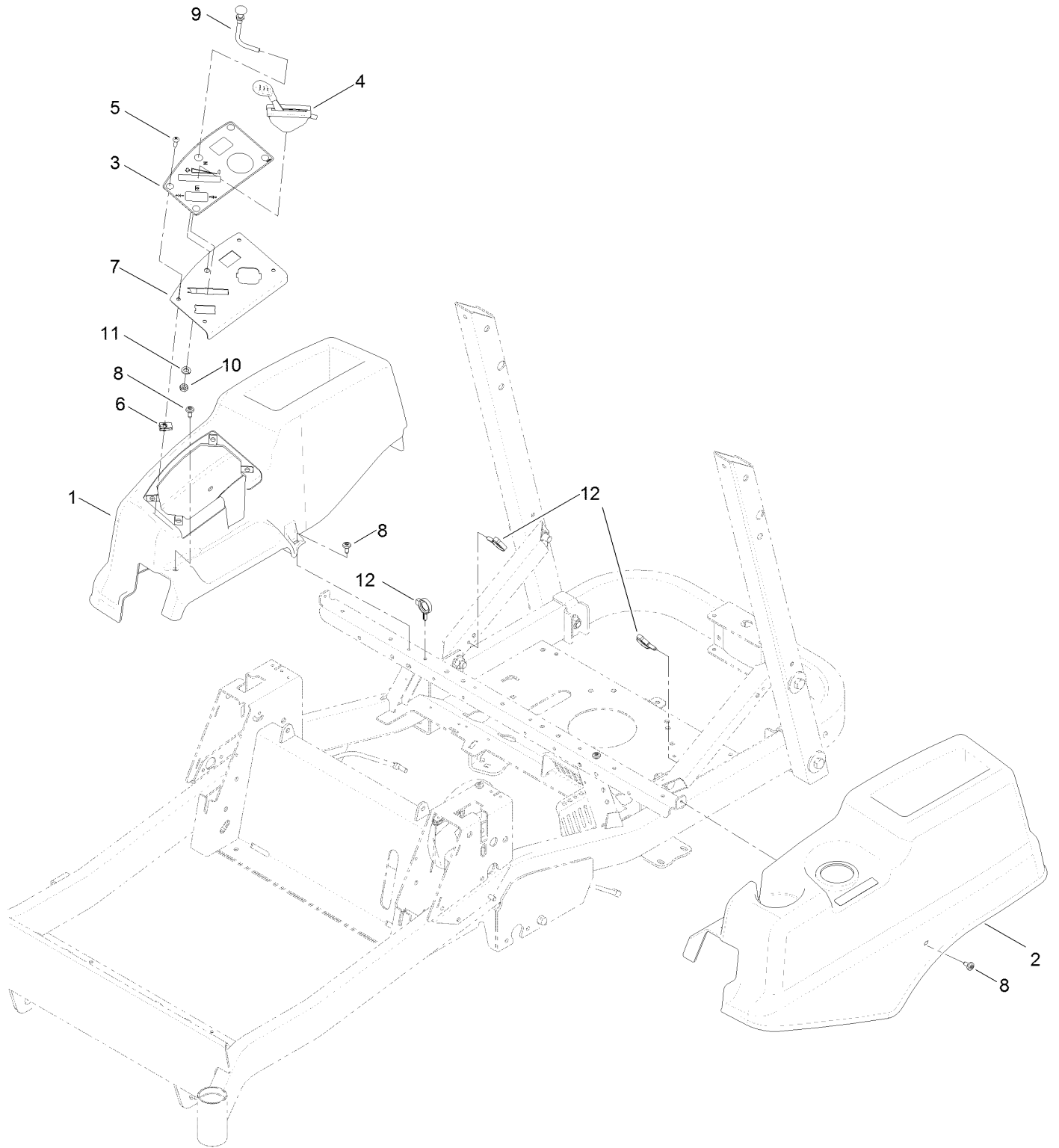


## Frame, Front Axle and Caster Wheel Assembly (continued)

<i>Ref.</i>	<i>Part Number</i>	<i>Qty.</i>	<i>Description</i>	<i>Ref.</i>	<i>Part Number</i>	<i>Qty.</i>	<i>Description</i>
1	131-4039-01	1	Frame ASM	17	120-2248-03	1	Guard-Rear
2	127-3423-01	1	Pan-Floor	18	67-1300	1	Decal
3	32144-70	8	Screw-HWHTF	19	105-8278	1	Decal
4	132-0871	1	Decal-Danger	20	121-0704-01	1	Tube-Guard
5	120-2251	2	Tire And Wheel ASM	21	322-10	2	Screw-HH
5:1	120-2252	1	Tire-13 Inch Smooth	22	121-2980	2	Cap
5:2		1	Rim-6 Inch ●	23	117-1241	1	Cover-Fan, RH
5:3	114-1640	2	Bushing-Flange	24	117-1242	1	Cover-Fan, LH
5:4	232-27	1	Stem-Valve	25	46-8560	2	Screw-HHFTF
5:5	302-5	1	Fitting-Grease	28	127-3330-01	2	Spacer-Caster
6	119-3475	2	Spanner	30	116-4348	2	Cap-Grease
7	325-37	2	Screw-HH	31	117-7220	1	Foil-Heat Shield
8	3296-45	2	Nut-Lock, NI	32	131-4137-03	1	Shield-Heat
9	127-3309-01	2	Fork-Caster	33	322-23	2	Screw-HH
10	10-8110	2	Washer-Thrust	34	3256-23	4	Washer-Flat
11	109-3678	4	Bearing-Ball	36	116-1297	2	Screw-Shoulder
12	3256-68	2	Washer-Flat	37	1-513658	3	Bumper
13	3234-47	2	Screw-HHF	38	112-9771	1	Washer-Teflon
14	121-2953-03	1	Support-Seat	39	130-0733	3	Pad-Rubber
15	322-12	4	Screw-HH	40	117-1232-03	1	Bracket-Hitch
16	104-8300	10	Nut-Flange, NI	42	131-4036	1	Decal

● Not serviced separately

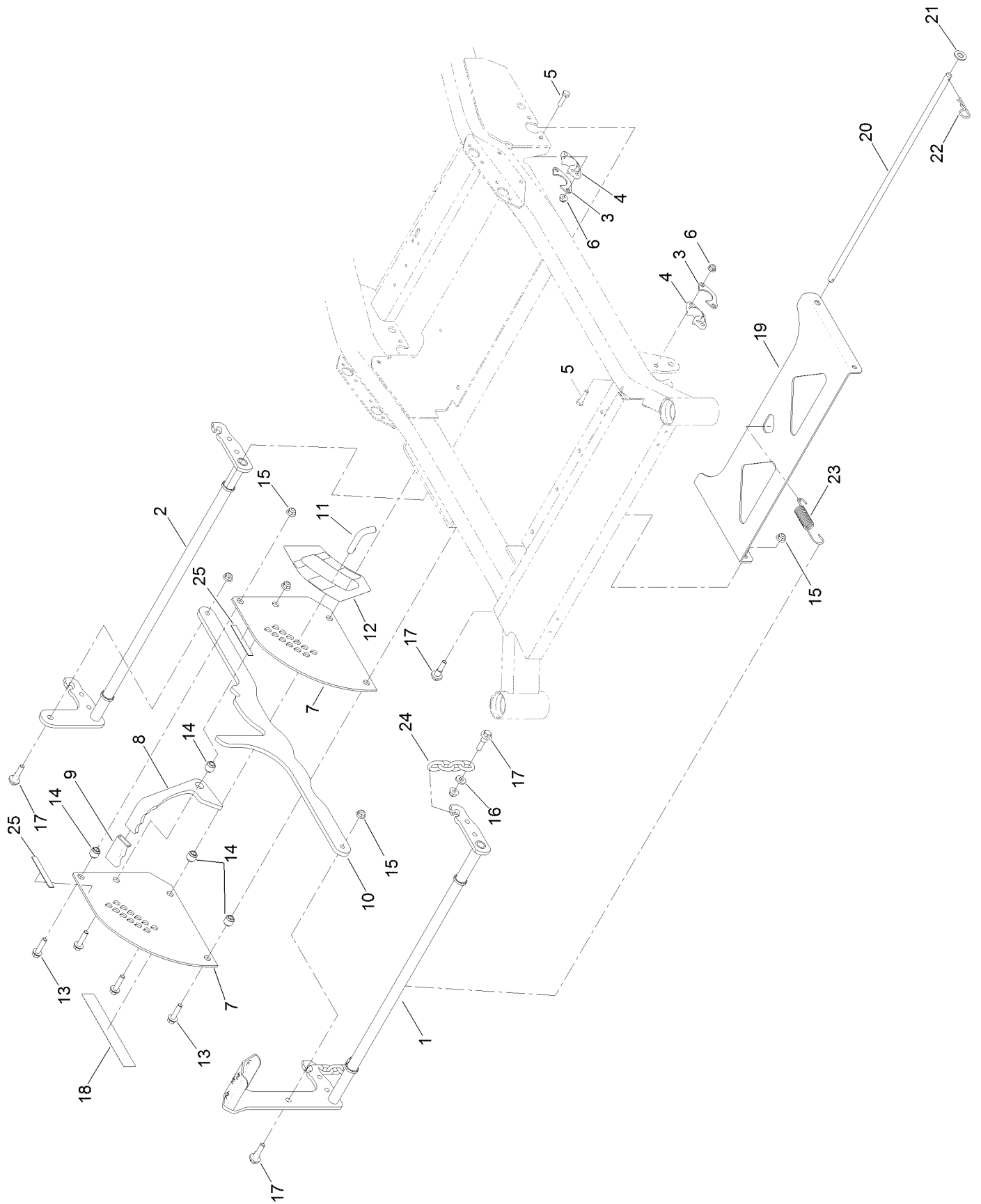
# Control Panel and Body Styling Pod Assembly



## Control Panel and Body Styling Pod Assembly (continued)

<i>Ref.</i>	<i>Part Number</i>	<i>Qty.</i>	<i>Description</i>	<i>Ref.</i>	<i>Part Number</i>	<i>Qty.</i>	<i>Description</i>
1	120-5488	1	Pod-RH	7	115-2591-03	1	Panel-Control
2	120-5489	1	Pod-LH	8	120-7950	6	Screw-Shoulder
3	115-9632	1	Decal-Panel, Control	9	120-2291	1	Cable-Choke
4	121-0770	1	Cable-Throttle	10	3253-21	1	Washer-Lock
5	3258-166	4	Screw-PRH	11	3220-3	1	Nut-HJ
6	107069	4	Clip	12	105-1853	2	Clamp-Hose

# Deck Lift Assembly

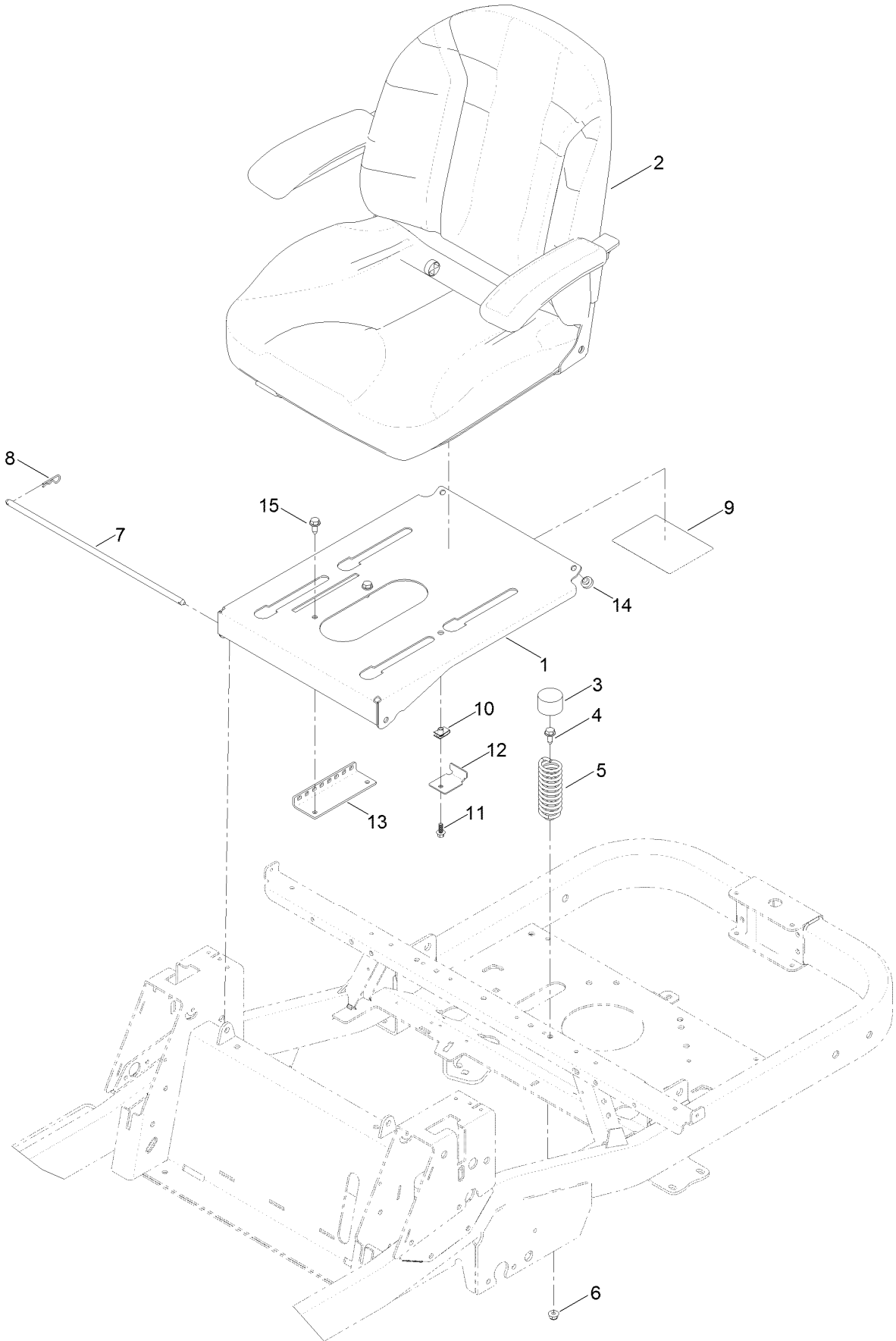




## Deck Lift Assembly (continued)

<i>Ref.</i>	<i>Part Number</i>	<i>Qty.</i>	<i>Description</i>	<i>Ref.</i>	<i>Part Number</i>	<i>Qty.</i>	<i>Description</i>
1	131-4058-03	1	Pivot-Front	14	116-4313	4	Spacer-Step, Double
2	131-4059-03	1	Pivot-Rear	15	104-8301	10	Nut-Flange, NI
3	116-2887	4	Gusset-Lift, Deck	16	43-0940	4	Spacer
4	115-5065	4	Bushing-Flange	17	130-0742	8	Bolt-Shoulder
5	322-6	8	Screw-HH	18	130-0785	1	Decal
6	104-8300	8	Nut-Flange, NI	19	127-3329-01	1	Pan-Deck, Pivot
7	127-3389-03	2	Plate-Deck, Lift	20	127-3399	1	Rod-Deck, Pivot
8	127-3391	1	Lock-Transport, HOC	21	3256-26	2	Washer-Flat
9	116-4312	1	Grip-Bar, Flat	22	1-806005	2	Pin-Cotter
10	127-3390-03	1	Link-HOC	23	115-9652	1	Spring-Extension
11	116-5584	1	Pin-HOC	24	130-0668	4	Chain-Decklift
12	130-0654	1	Decal-HOC	25	130-0734	2	Pad-Rubber
13	114-4681	4	Screw-HHF				

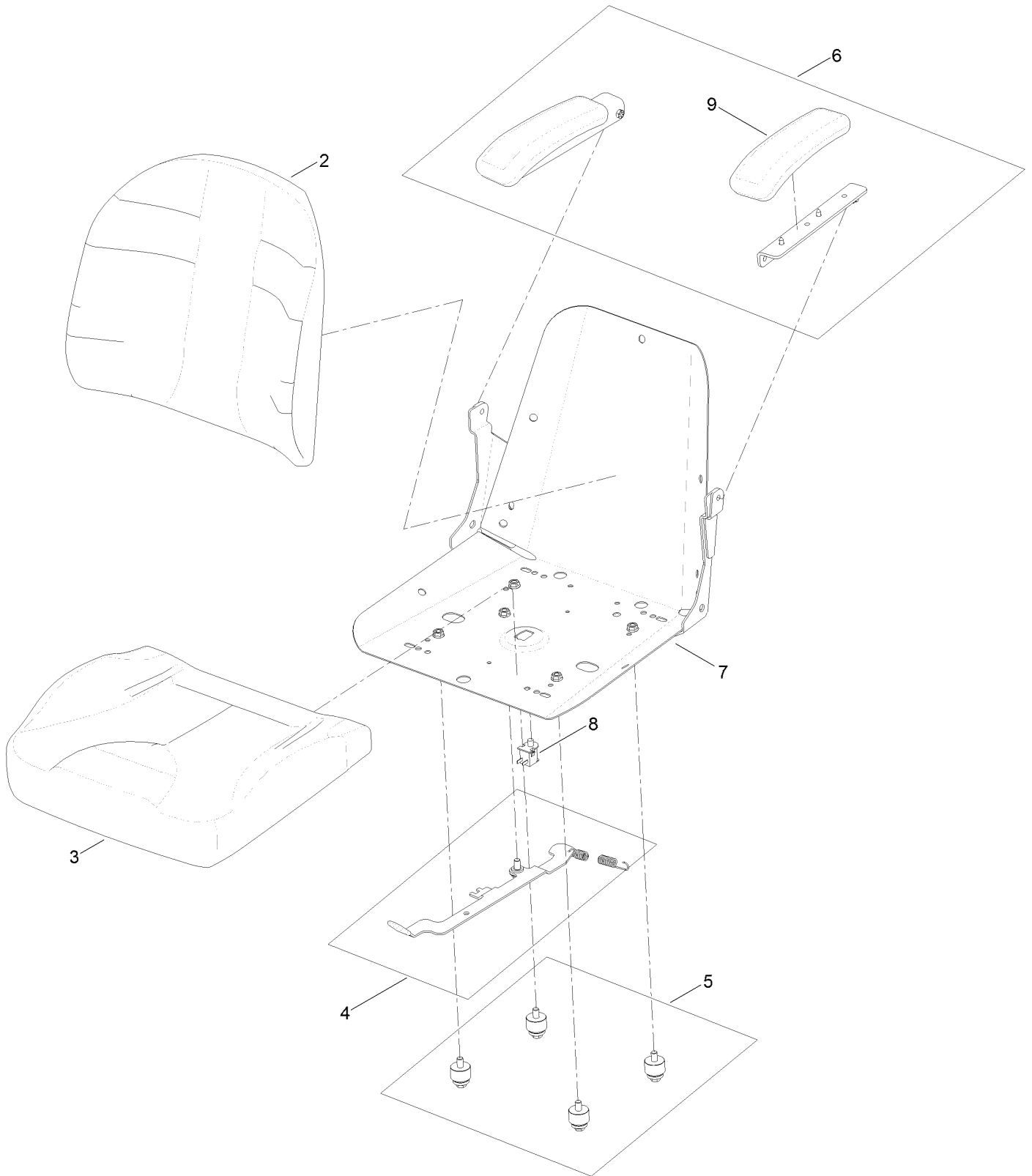
# Seat Assembly



## Seat Assembly (continued)

<i>Ref.</i>	<i>Part Number</i>	<i>Qty.</i>	<i>Description</i>	<i>Ref.</i>	<i>Part Number</i>	<i>Qty.</i>	<i>Description</i>
1	131-3944-03	1	Pan-Seat	9	130-6996	1	Decal-Maintenance
2	131-4147	1	Seat ASM	10	107069	1	Clip
3	701178	3	Cap-Protector	11	99-6810	1	Screw-HHF
4	3234-47	3	Screw-HHF	12	131-1038	1	Bracket-Stop, Seat
5	92-7054	3	Spring-Compression	13	131-4008-03	1	Bracket-Latch, Seat
6	104-8300	3	Nut-Flange, NI	14	1-513658	2	Bumper
7	115-4966	1	Rod-Stop	15	32144-70	2	Screw-HWHTF
8	3290-250	2	Pin-Cotter				

# Seat Assembly No. 131-4147

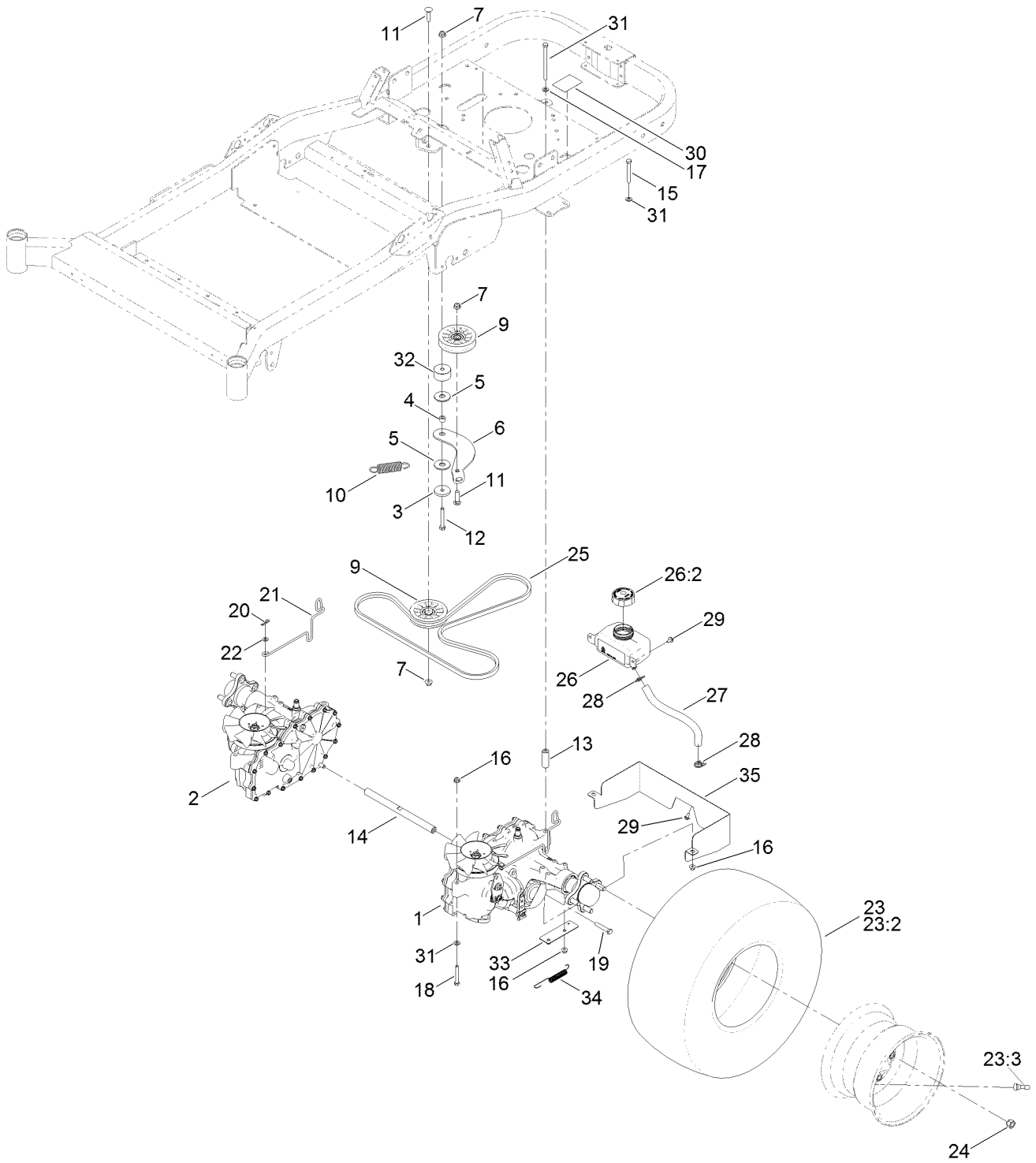


## Seat Assembly No. 131-4147 (continued)

<i>Ref.</i>	<i>Part Number</i>	<i>Qty.</i>	<i>Description</i>
2	131-4149	1	Cushion-Seat, Back
3	131-4151	1	Cushion-Seat, Bottom
4	131-4153	1	Track ASM
5	131-4154	1	Bushing ASM

<i>Ref.</i>	<i>Part Number</i>	<i>Qty.</i>	<i>Description</i>
6	131-4155	1	Armrest Kit
7	131-4156	1	Shell
8	82-2190	1	Switch-Bail
9	110-4163	2	Cushion-Rest, Arm

# Traction Drive Assembly

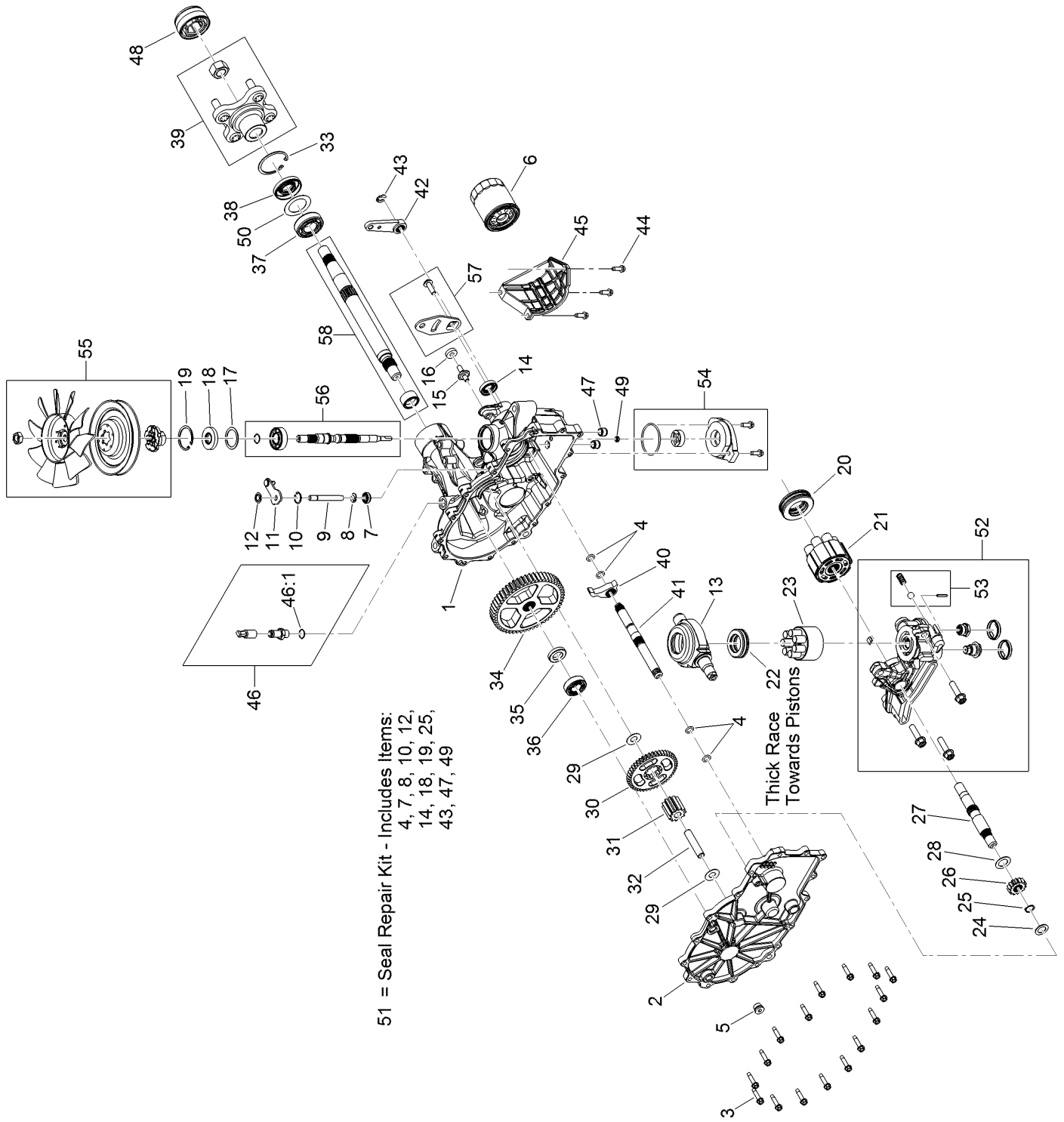


## Traction Drive Assembly (continued)

<i>Ref.</i>	<i>Part Number</i>	<i>Qty.</i>	<i>Description</i>	<i>Ref.</i>	<i>Part Number</i>	<i>Qty.</i>	<i>Description</i>
1	127-3381	1	LH Hydro Transmission ASM	20	1-806003	2	Pin-Cotter
2	127-3382	1	RH Hydro Transmission ASM	21	125-8950	2	Rod-Bypass
3	110-9981	1	Washer-Plain	22	119-8952	2	Washer
4	115-4986	1	Spacer	23	125-1820	2	Tire And Wheel ASM
5	114-0463	2	Washer-Friction, Composite	23:2	125-1821	1	Tire
6	117-5350	1	Arm-Idler	23:3	232-27	1	Stem-Valve
7	104-8301	3	Nut-Flange, NI	23:99	105-4070	1	Tube-Inner ●
9	109-3397	2	Pulley-Idler, Flat	24	242-50	8	Nut-Lug
10	1-603402	1	Spring-Extension	25	115-9613	1	V-Belt
11	3231-26	2	Screw-CARR	26	115-9618	1	HYD Reservoir ASM
12	323-12	1	Screw-HH	26:2	109-3320	1	Cap-Reservoir, HYD
13	109-3652	2	Spacer-Hydro	27	115-4969	2	Hose-Overflow
14	115-2559	1	Shaft-Cross, Hydro	28	117-1193	4	Clamp-Hose
15	322-13	4	Screw-HH	29	46-8560	3	Screw-HHFTF
16	104-8300	8	Nut-Flange, NI	30	130-6922	2	Decal-Bypass
17	322-38	2	Screw-HH	31	3256-23	8	Washer-Flat
18	322-11	2	Screw-HH	32	117-5351	1	Spacer
19	323-10	2	Screw-HH	33	117-7248-03	2	Plate-Spring
				34	110769	2	Spring-Extension
				35	131-3903-03	1	Guard, Rear

● Not illustrated

# LH Hydro Transmission Assembly No. 127-3381

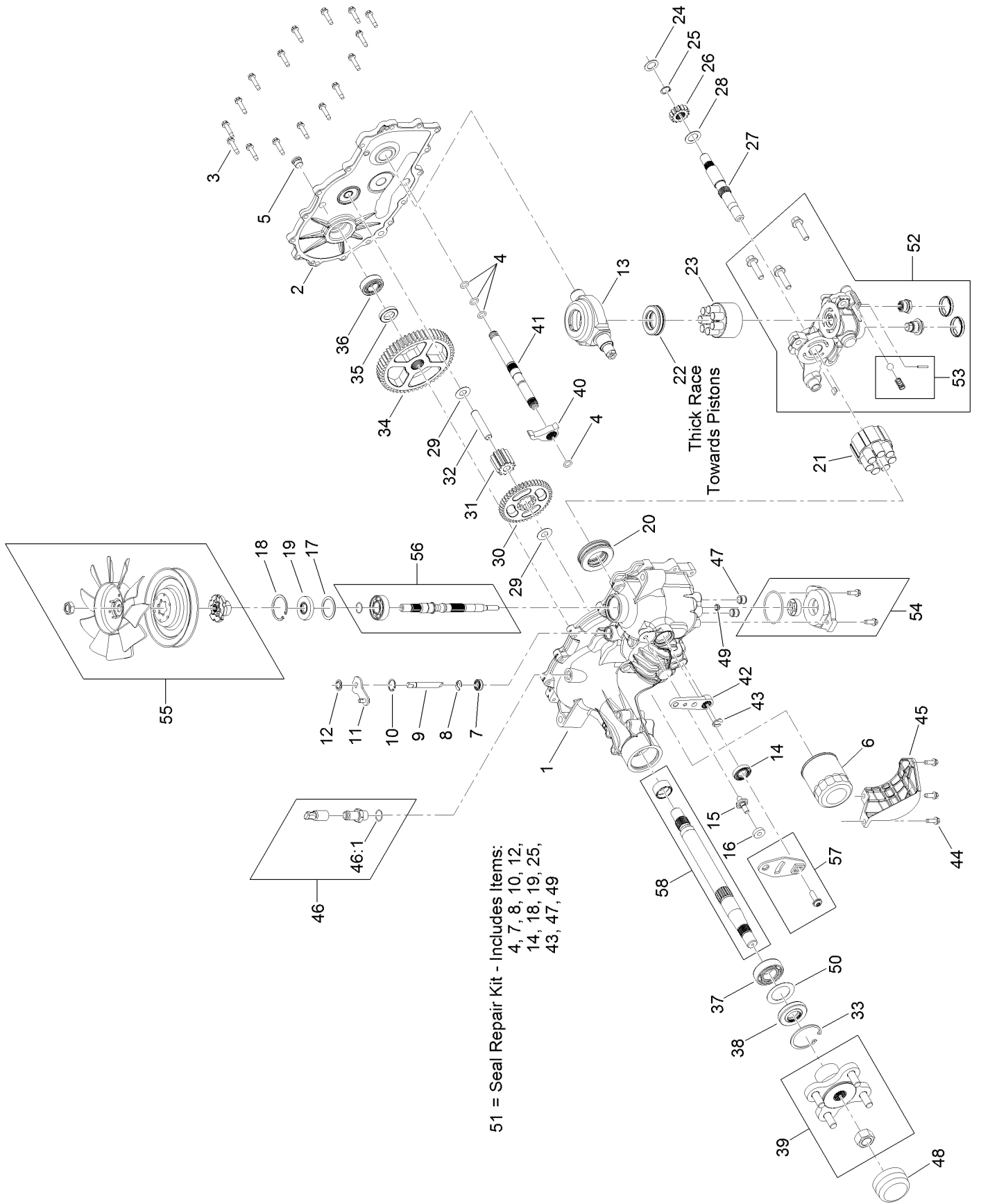




# LH Hydro Transmission Assembly No. 127-3381 (continued)

<i>Ref.</i>	<i>Part Number</i>	<i>Qty.</i>	<i>Description</i>	<i>Ref.</i>	<i>Part Number</i>	<i>Qty.</i>	<i>Description</i>
1	114-8471	1	Main Housing Kit	31	120-7974	1	Gear-11T
2	114-8472	1	Side Cover Kit	32	104-5329	1	Pin-Jackshaft
3	117-5359	16	Screw-HHF	33	104-2169	1	Ring-Retaining
4	114-1678	4	O-Ring	34	114-1694	1	Gear-54T
5	104-2189	1	Plug-Thread, Straight	35	120-7975	1	Spacer
6	109-3321	1	Element-Oil Filter, HYD	36	126-0789	1	Bearing-Ball
7	106-8676	1	Seal-Lip	37	120-7976	1	Bearing-Ball
8	106-8677	1	Ring-Retaining, EXT	38	104-2144	1	Seal
9	114-1685	1	Rod-Bypass	39	109-5939	1	Hub Kit
10	106-8679	1	Ring-Retaining, Int	40	114-1697	1	Pawl-Brake
11	107-2490	1	Arm-Bypass	41	131-0907	1	Shaft-Brake
12	106-8681	1	Ring-Retaining, EXT	42	125-0021	1	Handle-Brake
13	104-5304	1	Swashplate-Trunnion	43	131-0906	1	Ring-Retaining, EXT
14	104-5313	1	Seal-Lip	44	104-2120	3	Screw
15	104-2116	1	Stud	45	120-7979	1	Guard-Filter, LH
16	112-9853	1	Puck-Friction	46	109-3278	1	Adapter-Straight
17	104-5308	1	Spacer	46:1	237-42	1	O-Ring
18	104-5310	1	Seal-Lip	47	114-8455	2	Tube-Connecting
19	104-5309	1	Ring-Retaining	48	115-5057	1	Cover-Nut, Axle
20	112-4154	1	Bearing-Thrust	49	131-0908	1	Seal-Gerotor
21	114-1689	1	Motor Cylinder Block Kit	50	121-5745	1	Spacer
22	94-6922	1	Bearing-Thrust	51	109-3537	1	Seal Kit
23	110-8561	1	Pump Block ASM	52	131-0909	1	LH Center Section Charge Kit
24	104-5339	1	Washer-Flat	53	114-8464	1	Charge Relief Kit
25	104-5340	1	Ring-Retaining	54	114-8465	1	Charge Kit
26	131-0905	1	Gear-14T	55	125-0059	1	Fan And Pulley Kit
27	114-1691	1	Shaft-Motor	56	117-5361	1	Input Shaft Kit
28	104-5360	1	Washer	57	117-5362	1	Arm Control Kit
29	94-1933	2	Washer	58	114-8470	1	Axle Shaft Kit
30	114-1692	1	Gear-45T				

# RH Hydro Transmission Assembly No. 127-3382



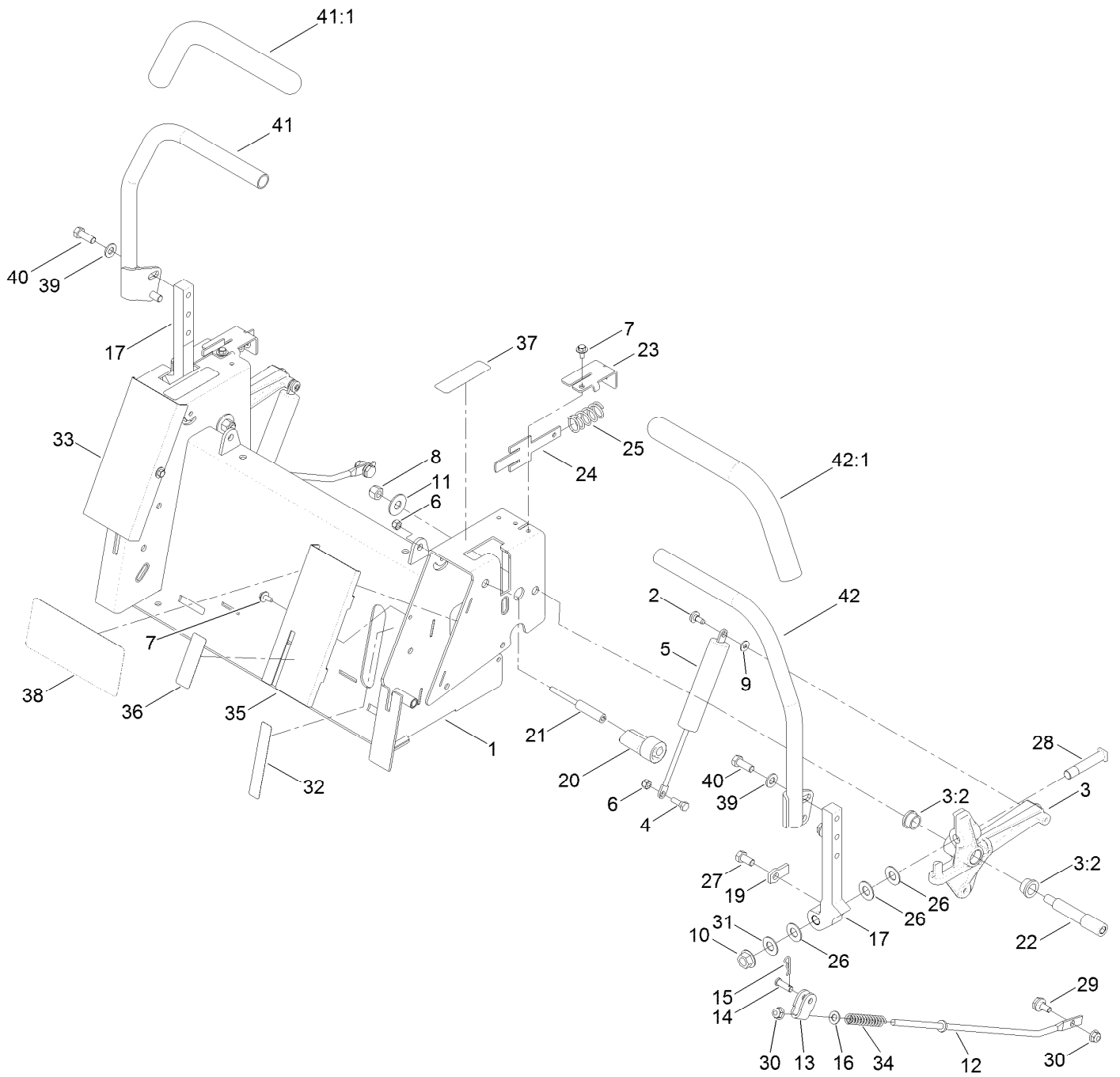
51 = Seal Repair Kit - Includes Items:  
 4, 7, 8, 10, 12,  
 14, 18, 19, 25,  
 43, 47, 49

Thick Race  
 Towards Pistons

# RH Hydro Transmission Assembly No. 127-3382 (continued)

<i>Ref.</i>	<i>Part Number</i>	<i>Qty.</i>	<i>Description</i>	<i>Ref.</i>	<i>Part Number</i>	<i>Qty.</i>	<i>Description</i>
1	114-1676	1	Main Housing Kit	31	120-7974	1	Gear-11T
2	117-5358	1	Housing Side Kit	32	104-5329	1	Pin-Jackshaft
3	117-5359	16	Screw-HHF	33	104-2169	1	Ring-Retaining
4	114-1678	4	O-Ring	34	114-1694	1	Gear-54T
5	104-2189	1	Plug-Thread, Straight	35	120-7975	1	Spacer
6	109-3321	1	Element-Oil Filter, HYD	36	126-0789	1	Bearing-Ball
7	106-8676	1	Seal-Lip	37	120-7976	1	Bearing-Ball
8	106-8677	1	Ring-Retaining, EXT	38	104-2144	1	Seal
9	114-1685	1	Rod-Bypass	39	109-5939	1	Hub Kit
10	106-8679	1	Ring-Retaining, Int	40	114-1697	1	Pawl-Brake
11	107-2490	1	Arm-Bypass	41	131-0907	1	Shaft-Brake
12	106-8681	1	Ring-Retaining, EXT	42	125-0021	1	Handle-Brake
13	104-5304	1	Swashplate-Trunnion	43	131-0906	1	Ring-Retaining, EXT
14	104-5313	1	Seal-Lip	44	104-2120	3	Screw
15	104-2116	1	Stud	45	120-7981	1	Guard-Filter, RH
16	112-9853	1	Puck-Friction	46	109-3278	1	Adapter-Straight
17	104-5308	1	Spacer	46:1	237-42	1	O-Ring
18	104-5310	1	Seal-Lip	47	114-8455	2	Tube-Connecting
19	104-5309	1	Ring-Retaining	48	115-5057	1	Cover-Nut, Axle
20	112-4154	1	Bearing-Thrust	49	131-0908	1	Seal-Gerotor
21	114-1689	1	Motor Cylinder Block Kit	50	121-5745	1	Spacer
22	94-6922	1	Bearing-Thrust	51	109-3537	1	Seal Kit
23	110-8561	1	Pump Block ASM	52	131-0910	1	RH Center Section Charge Kit
24	104-5339	1	Washer-Flat	53	114-8464	1	Charge Relief Kit
25	104-5340	1	Ring-Retaining	54	114-8465	1	Charge Kit
26	131-0905	1	Gear-14T	55	125-0059	1	Fan And Pulley Kit
27	114-1691	1	Shaft-Motor	56	117-5361	1	Input Shaft Kit
28	104-5360	1	Washer	57	117-5362	1	Arm Control Kit
29	94-1933	2	Washer	58	114-8470	1	Axle Shaft Kit
30	114-1692	1	Gear-45T				

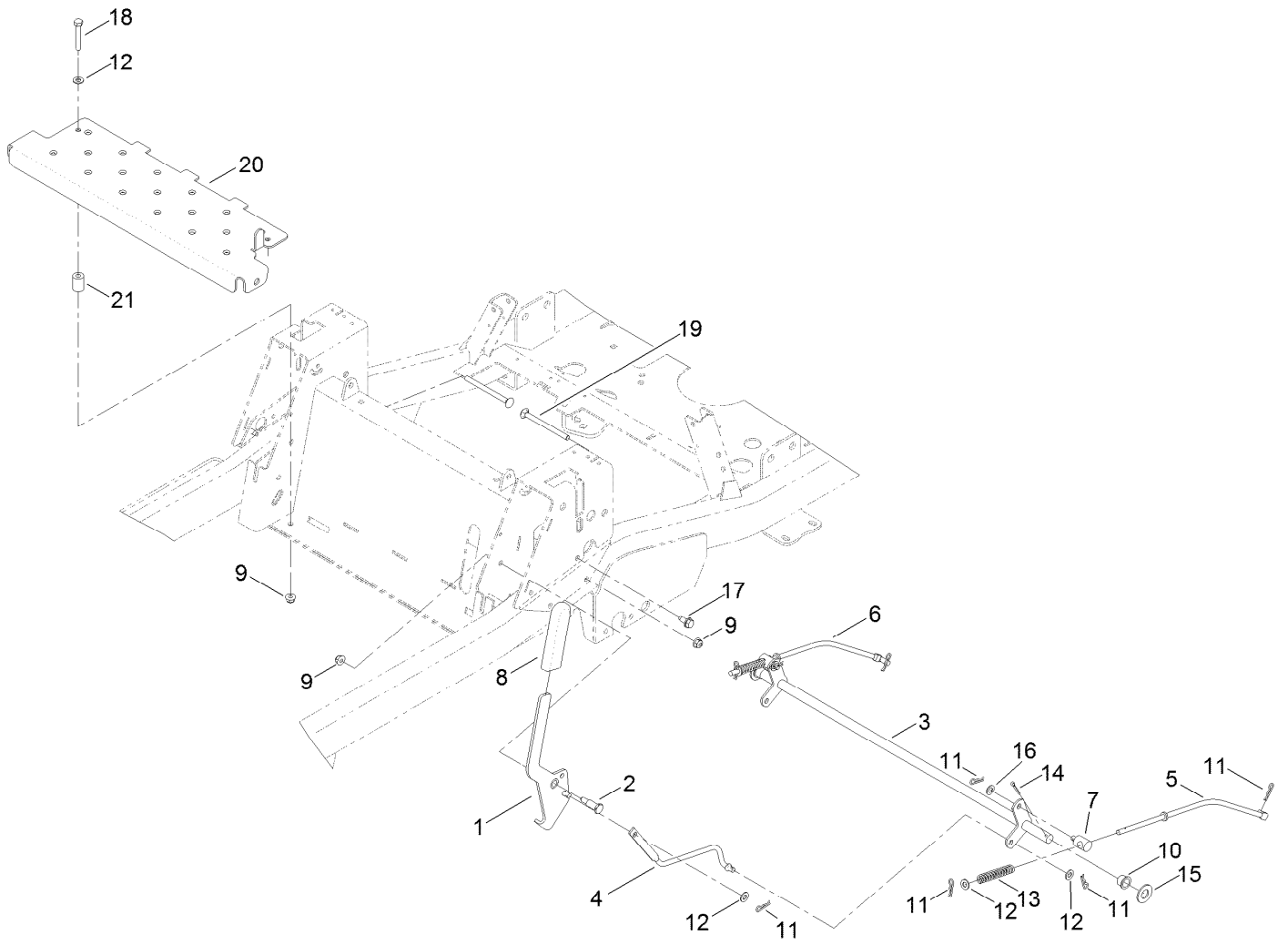
# Motion Control Assembly



## Motion Control Assembly (continued)

<i>Ref.</i>	<i>Part Number</i>	<i>Qty.</i>	<i>Description</i>	<i>Ref.</i>	<i>Part Number</i>	<i>Qty.</i>	<i>Description</i>
1	127-3282-03	1	Box-Control	23	110-6751	2	Bracket-Return
2	120-7950	2	Screw-Shoulder	24	110-6750	2	Plate-Return
3	110-6828	2	Activator Arm ASM	25	110-6752	2	Spring-Compression
3:2	105-3455	2	Bushing	26	110-6894	6	Washer-Pivot
4	106-2214	2	Bolt-Shoulder	27	323-4	2	Screw-HH
5	131-0964	2	Damper	28	110-6784	2	Bolt-Shoulder
6	3296-42	4	Nut-Lock, NI	29	37-8771	2	Bolt-Shoulder
7	46-8560	4	Screw-HHFTF	30	104-8300	4	Nut-Flange, NI
8	3296-48	2	Nut-Lock, NI	31	112-9771	2	Washer-Teflon
9	119-8952	2	Washer	32	130-0655	1	Decal-Fill, Fuel
10	32128-23	2	Nut-HF	33	117-1255-03	1	Cover-Control, RH
11	3256-5	2	Washer-Flat	34	1-603807	2	Spring-Return, Neutral
12	117-7422	2	Rod-Control	35	115-2561-03	1	Cover-Control, LH
13	117-7423	2	Bracket-Control	36	115-9625	1	Decal-Brake, Parking
14	1-808280	2	Pin-Clevis	37	99-8936	2	Decal-Control, Motion
15	1-806003	2	Pin-Cotter	38	127-3384	1	Decal
16	3256-23	2	Washer-Flat	39	3256-24	4	Washer-Flat
17	110-6782-05	1	Arm-Actuator, RH	40	323-6	4	Screw-HH
19	115-5023	2	Tab-Stop	41	121-0731	1	Handle-Control, RH
20	110-6873	2	Eccentric	41:1	121-0726	1	Grip
21	110-6874	2	Screw-Eccentric	42	121-0730	1	Handle-Control, LH
22	110-6875	2	Bolt-Shoulder	42:1	121-0726	1	Grip

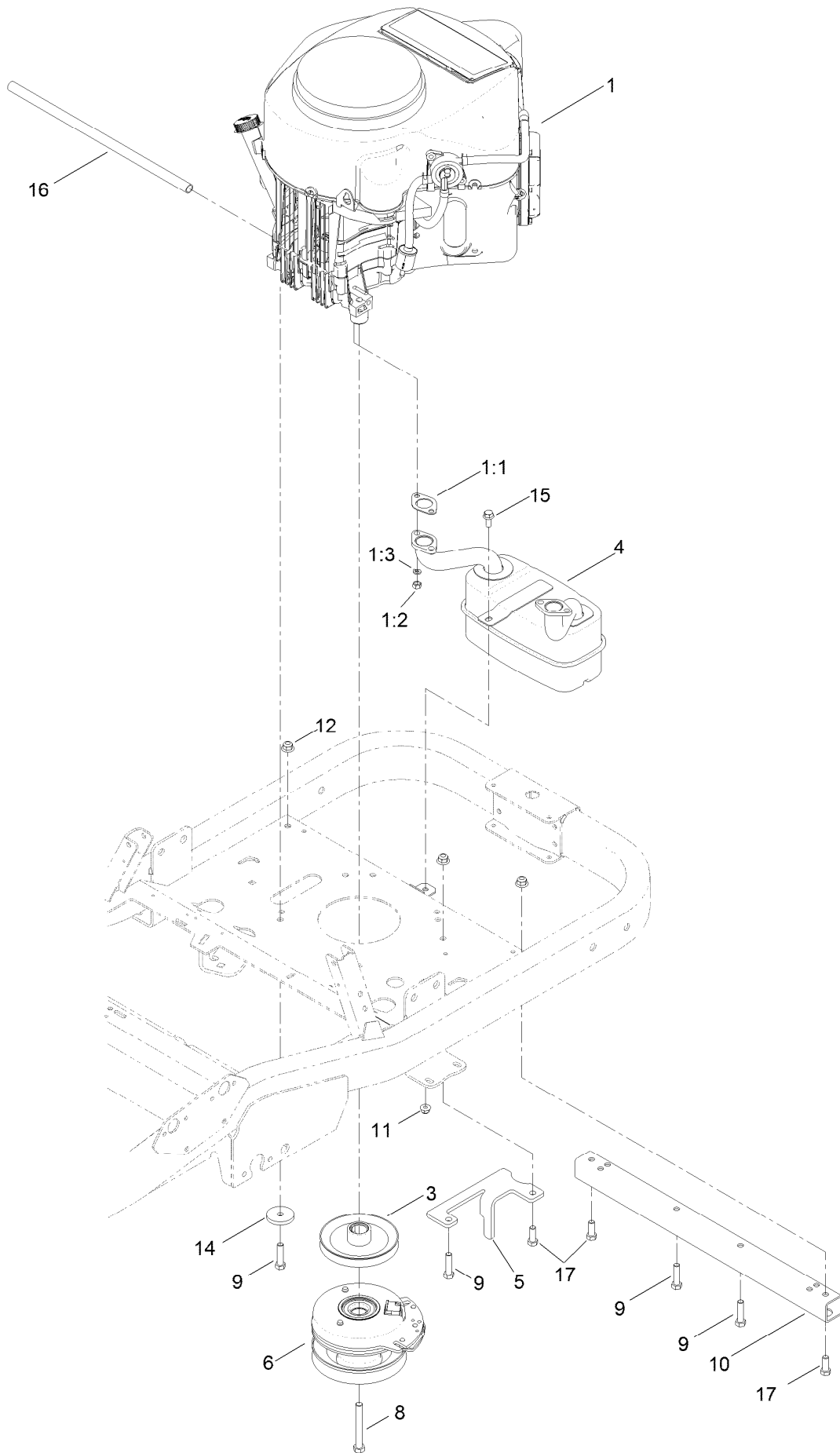
# Brake Link Assembly



## Brake Link Assembly (continued)

<i>Ref.</i>	<i>Part Number</i>	<i>Qty.</i>	<i>Description</i>	<i>Ref.</i>	<i>Part Number</i>	<i>Qty.</i>	<i>Description</i>
1	131-4057	1	Brake Handle ASM	12	3256-23	6	Washer-Flat
2	63-2650	1	Screw-Shoulder	13	1-603807	2	Spring-Return, Neutral
3	131-4056-03	1	Brake Bellcrank ASM	14	3272-11	2	Pin-Cotter
4	115-5074	1	Link-Brake	15	3256-27	2	Washer-Flat
5	117-7322	1	Rod-Brake, LH	16	40-1940	2	Washer
6	117-7323	1	Rod-Brake, RH	17	32144-70	4	Screw-HWHTF
7	115-9681	2	Fitting-Rod	18	322-10	2	Screw-HH
8	1-633268	1	Grip-Lever	19	106-9758	2	Screw-CARR
9	104-8300	5	Nut-Flange, NI	20	127-3435-01	1	Plate-Support, Floor Pan
10	256-292	2	Bushing-Flange, NI	21	119-0718	2	Spacer
11	1-806003	8	Pin-Cotter				

# Engine, Muffler and Clutch Assembly





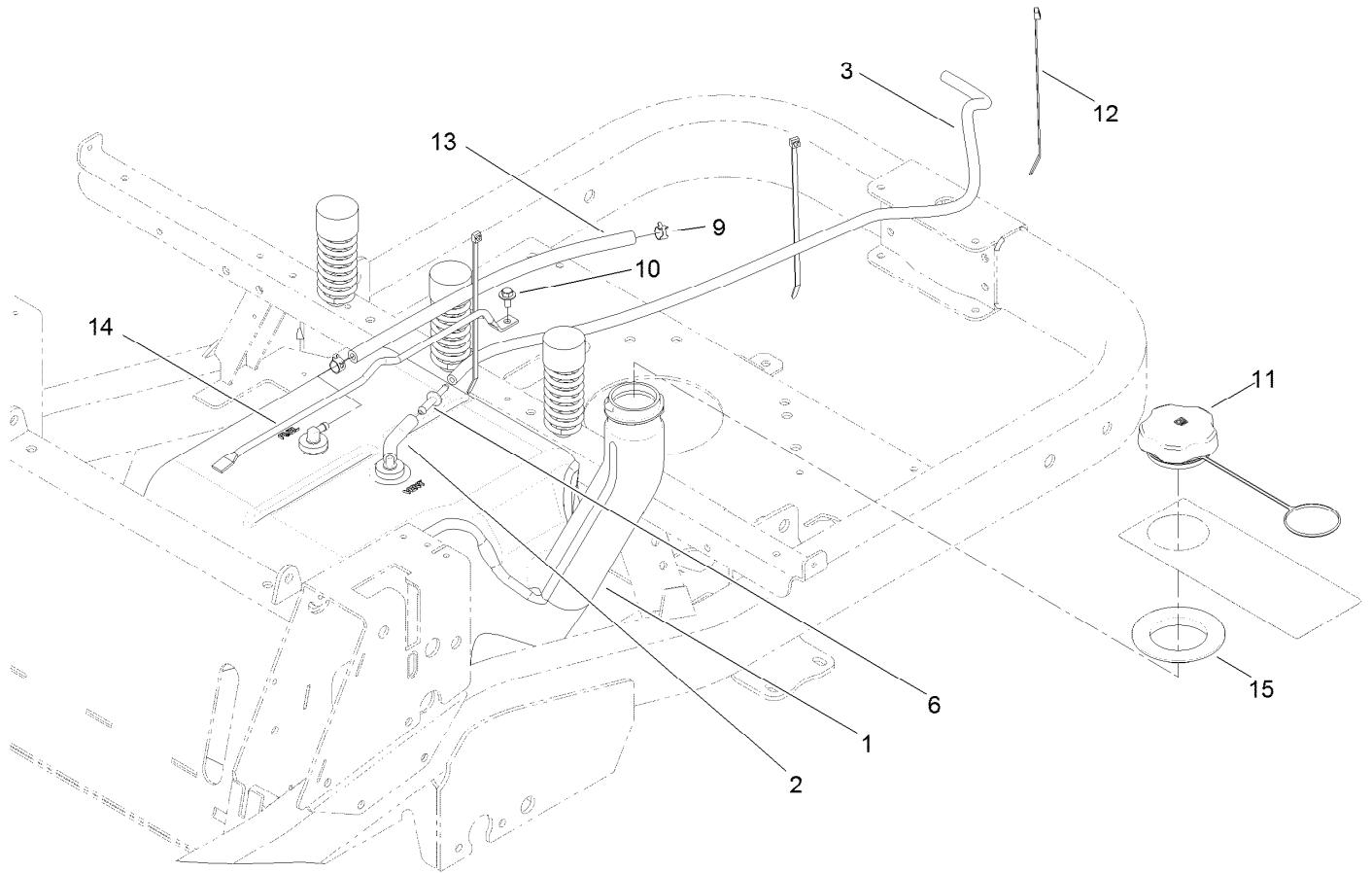
## Engine, Muffler and Clutch Assembly (continued)

<i>Ref.</i>	<i>Part Number</i>	<i>Qty.</i>	<i>Description</i>	<i>Ref.</i>	<i>Part Number</i>	<i>Qty.</i>	<i>Description</i>
1		1	Engine Kawasaki, Fr691V-S50-R ●■	8	3212-13	1	Screw-HH
1:1	1-653313	2	Gasket-Exhaust	9	323-50	4	Bolt-HH
1:2	114-3549	4	Nut	10	117-7335-03	1	Tube-Stiffener
1:3	114-3550	4	Washer-Lock	11	104-8300	1	Nut-Flange, NI
3	125-5576	1	Pulley-Engine	12	104-8301	3	Nut-Flange, NI
4	125-1760	1	Muffler	14	110-9981	1	Washer-Plain
5	117-7344-03	1	Bracket-Stop, PTO	15	3234-47	1	Screw-HHF
6	127-3410	1	Clutch-PTO	16	106-7022	1	Tube-Drain, Oil
				17	323-6	3	Screw-HH

● Not serviced separately

■ Obtain parts from [www.kawpowerepc.com](http://www.kawpowerepc.com)

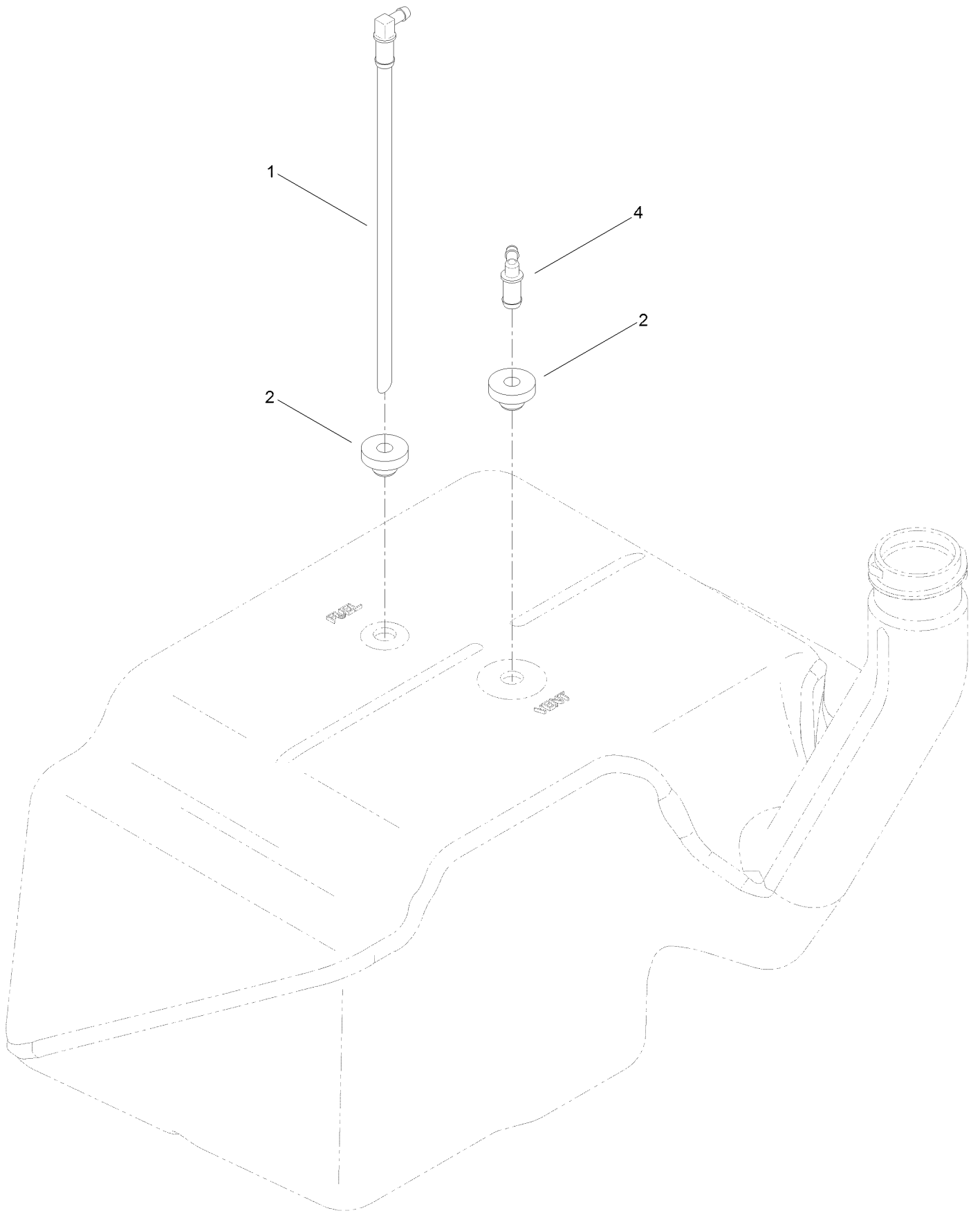
# Fuel Delivery Assembly



## Fuel Delivery Assembly (continued)

<i>Ref.</i>	<i>Part Number</i>	<i>Qty.</i>	<i>Description</i>	<i>Ref.</i>	<i>Part Number</i>	<i>Qty.</i>	<i>Description</i>
1	117-7352	1	Fuel Tank ASM	11	125-1847	1	Cap-Fuel
2	114-3765	1	Hose-Fuel	12	614249	3	Tie-Cable
3	51-3212	1	Hose-Fuel	13	107-0589	1	Hose-Fuel
6	121-0743	1	Adapter-Orifice	14	115-2620	1	Rod-Tank, Gas
9	2412-98	2	Clamp-Hose	15	117-1298	1	Seal-Tank
10	46-8560	1	Screw-HHFTF				

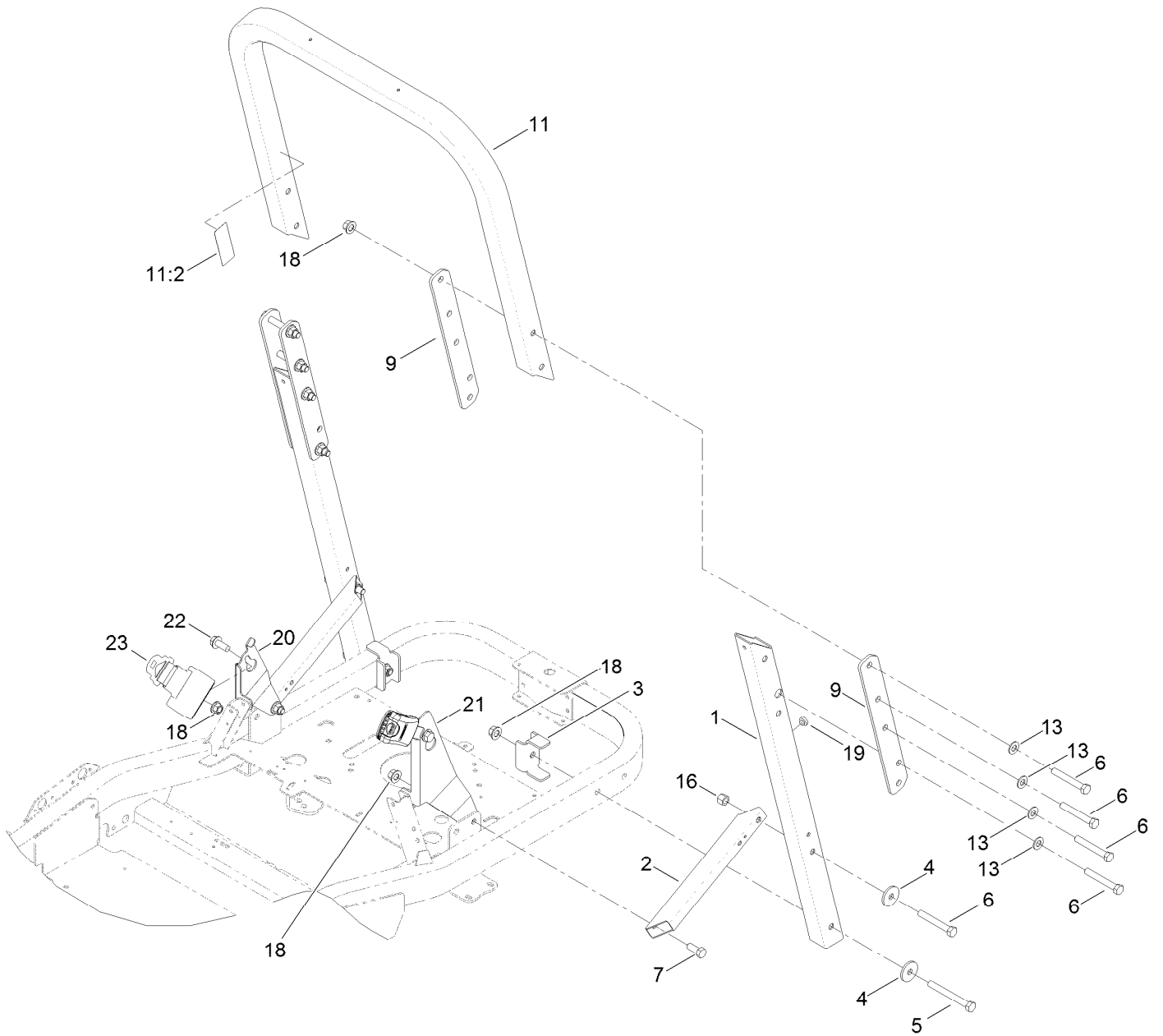
# Fuel Tank Assembly No. 117-7352



## Fuel Tank Assembly No. 117-7352 (continued)

<i>Ref.</i>	<i>Part Number</i>	<i>Qty.</i>	<i>Description</i>
1	121-0793	1	Connector-Elbow, 90 DEG
2	46-6560	2	Bushing
4	117-7400	1	Fitting-Plastic

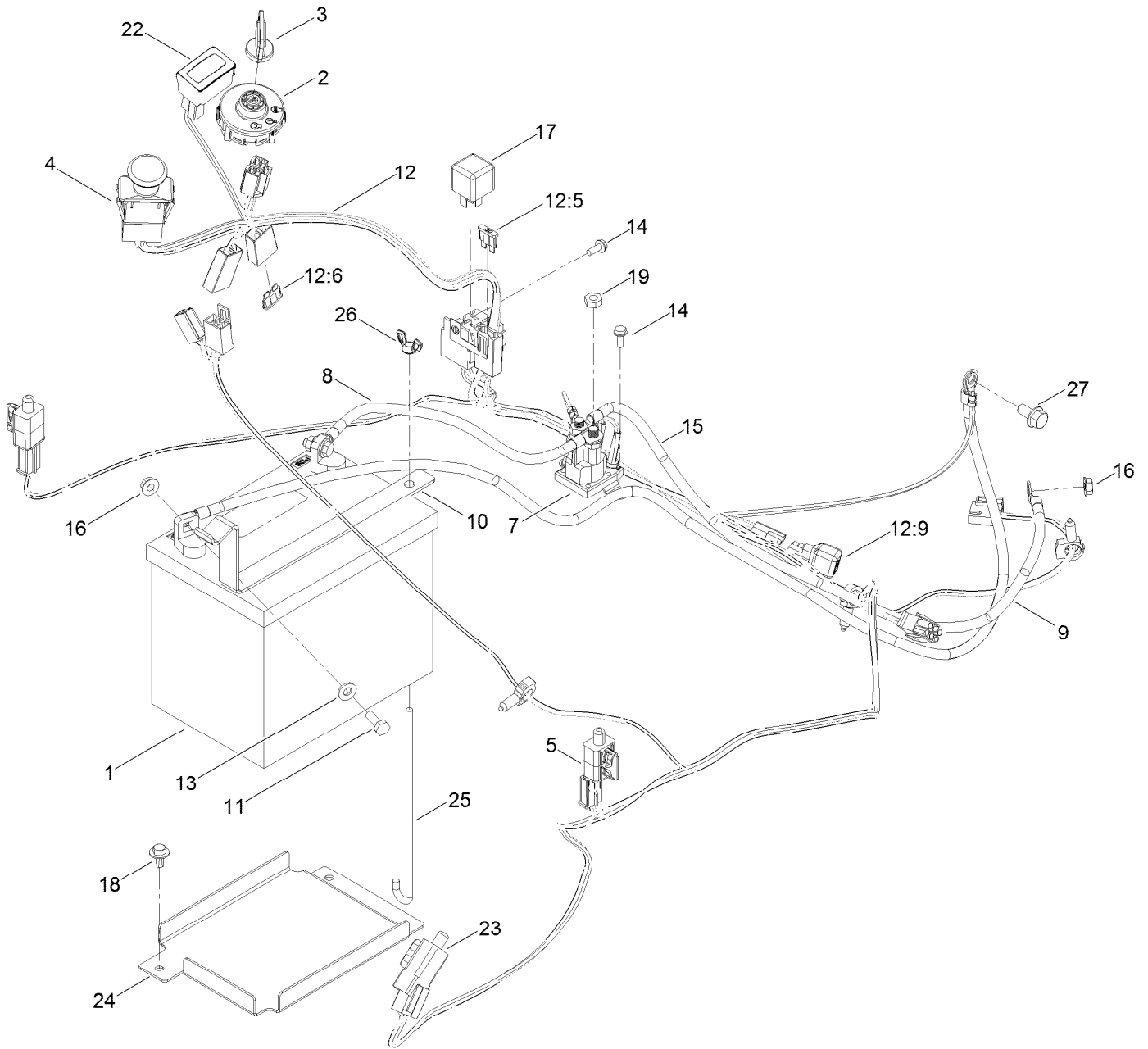
# Roll-Over Protection System Assembly



## Roll-Over Protection System Assembly (continued)

<i>Ref.</i>	<i>Part Number</i>	<i>Qty.</i>	<i>Description</i>	<i>Ref.</i>	<i>Part Number</i>	<i>Qty.</i>	<i>Description</i>
1	121-2986-03	2	Tube-ROPS, Lower	11:2	130-6927	1	Decal-ROPS, Warning
2	115-4962-03	2	Tube-Support, ROPS	13	3256-26	8	Washer-Flat
3	115-4963-03	2	Bracket-Reinforcing	16	119-8969	2	Nut-Hex
4	84-1560	4	Washer-Thrust	18	99-5107	12	Nut-Lock
5	325-18	2	Screw-HH	19	1-513658	2	Bumper
6	325-14	10	Screw-HH	20	115-5038-03	1	Bracket-Belt, Seat
7	325-5	2	Screw-HH	21	115-5060-03	1	Bracket-Belt, Seat
9	127-3326-03	4	Plate-ROPS	22	3234-38	2	Screw-HHF
11	130-6929	1	Upper ROPS ASM	23	109-9805	1	Seat Belt Kit

# Electrical Assembly

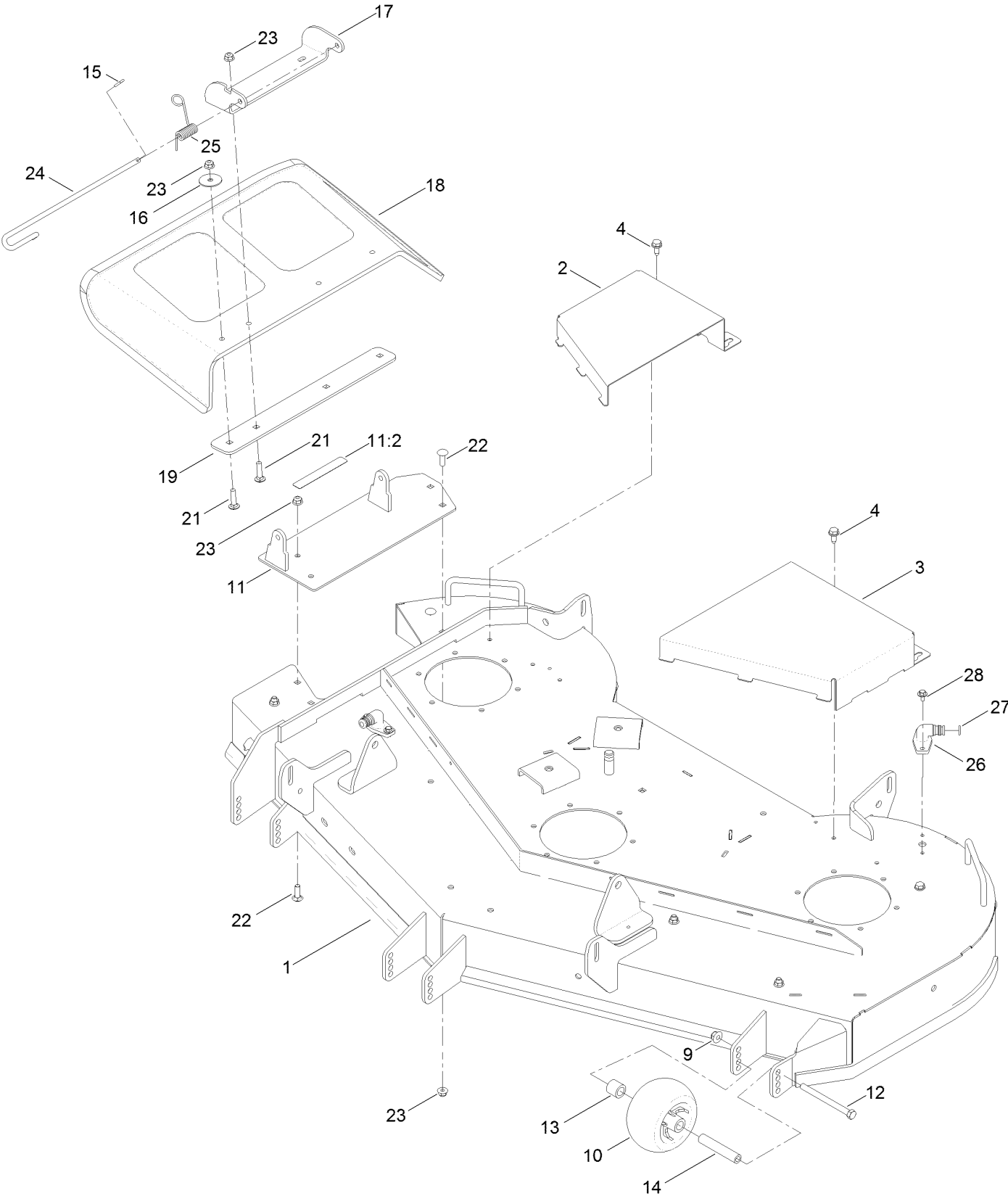




## Electrical Assembly (continued)

<i>Ref.</i>	<i>Part Number</i>	<i>Qty.</i>	<i>Description</i>	<i>Ref.</i>	<i>Part Number</i>	<i>Qty.</i>	<i>Description</i>
1	105-1692	1	Battery-Dry	13	3256-22	2	Washer-Flat
2	117-2221	1	Switch-Ignition	14	32144-1	3	Screw-Taptite
3	63-8360	1	Key-Ignition	15	92-6989	1	Wire-21 Inch
4	103-5221	1	Switch-PTO	16	32128-33	3	Nut-HF
5	110-6765	2	Switch	17	98-7249	1	Relay
7	117-1197	1	Solenoid	18	46-8560	2	Screw-HHFTF
8	117-5342	1	Cable-Battery, Positive	19	3220-2	2	Nut-Jam
9	117-7240	1	Cable-Battery, Negative	22	120-2244	1	Hourmeter
10	117-7313-01	1	Strap-Battery	23	99-7408	1	Switch-Reverse
11	321-4	2	Screw-HH	24	117-1283-03	1	Tray-Battery
12	130-0651	1	Harness-Wire	25	1-633651	1	Bolt-Holddown
12:5	109103	1	Fuse-Blade, 30 Amp	26	1-543792	1	Wingnut
12:6	109102	1	Fuse-Blade, 25 Amp	27	33104-016	1	Screw-HHF
12:9	100-4918	1	Diode-Over Molded				

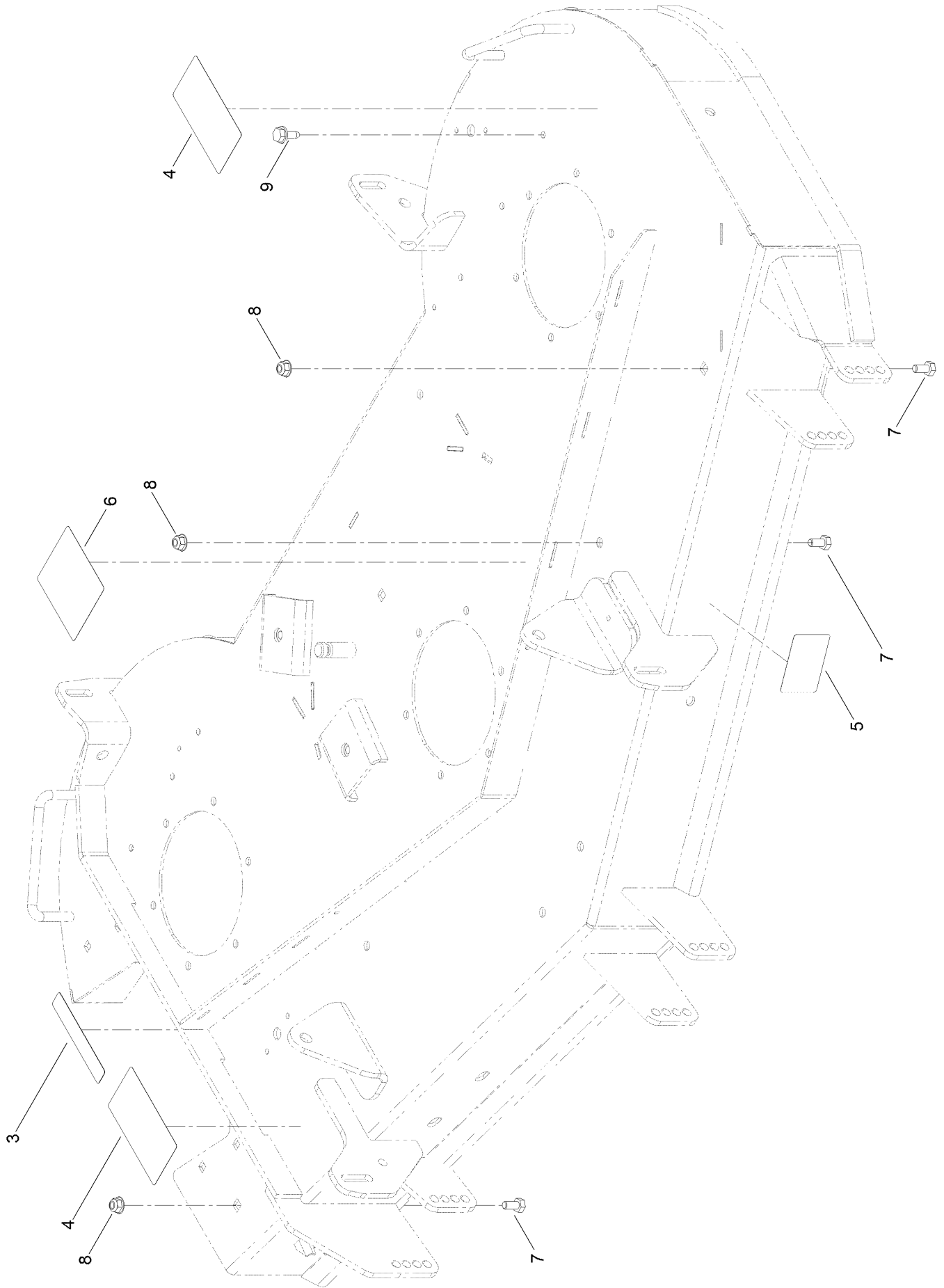
# 54 Inch Deck Assembly



## 54 Inch Deck Assembly (continued)

<i>Ref.</i>	<i>Part Number</i>	<i>Qty.</i>	<i>Description</i>	<i>Ref.</i>	<i>Part Number</i>	<i>Qty.</i>	<i>Description</i>
1	131-4141	1	54 Inch Deck ASM	16	3256-68	2	Washer-Flat
2	131-4051-05	1	Cover-Belt, RH	17	114-1648-05	1	Bracket-Deflector, Upper
3	131-4050-05	1	Cover-Belt, LH	18	117-1270	1	Deflector
4	32144-70	4	Screw-HWHTF	19	115-5048-03	1	Plate-Deflector
9	104-8301	3	Nut-Flange, NI	21	3230-3	4	Screw-CARR
10	1-603299	3	Roller-Scalp, Anti	22	3230-22	4	Screw-CARR
11	130-0763	1	Pivot-Deflector	23	104-8300	8	Nut-Flange, NI
11:2	130-0731	1	Decal-Danger	24	109-8854	1	Pin-Chute
12	323-23	3	Screw-HH	25	121-2983	1	Spring-Torsion
13	104-0892	3	Spacer-Axle, Rear	26	95-2747	2	Fitting-Washout
14	98-7912	3	Tube-Spanner	27	46-6290	2	O-Ring
15	3272-10	1	Pin-Cotter	28	46-8560	4	Screw-HHFTF

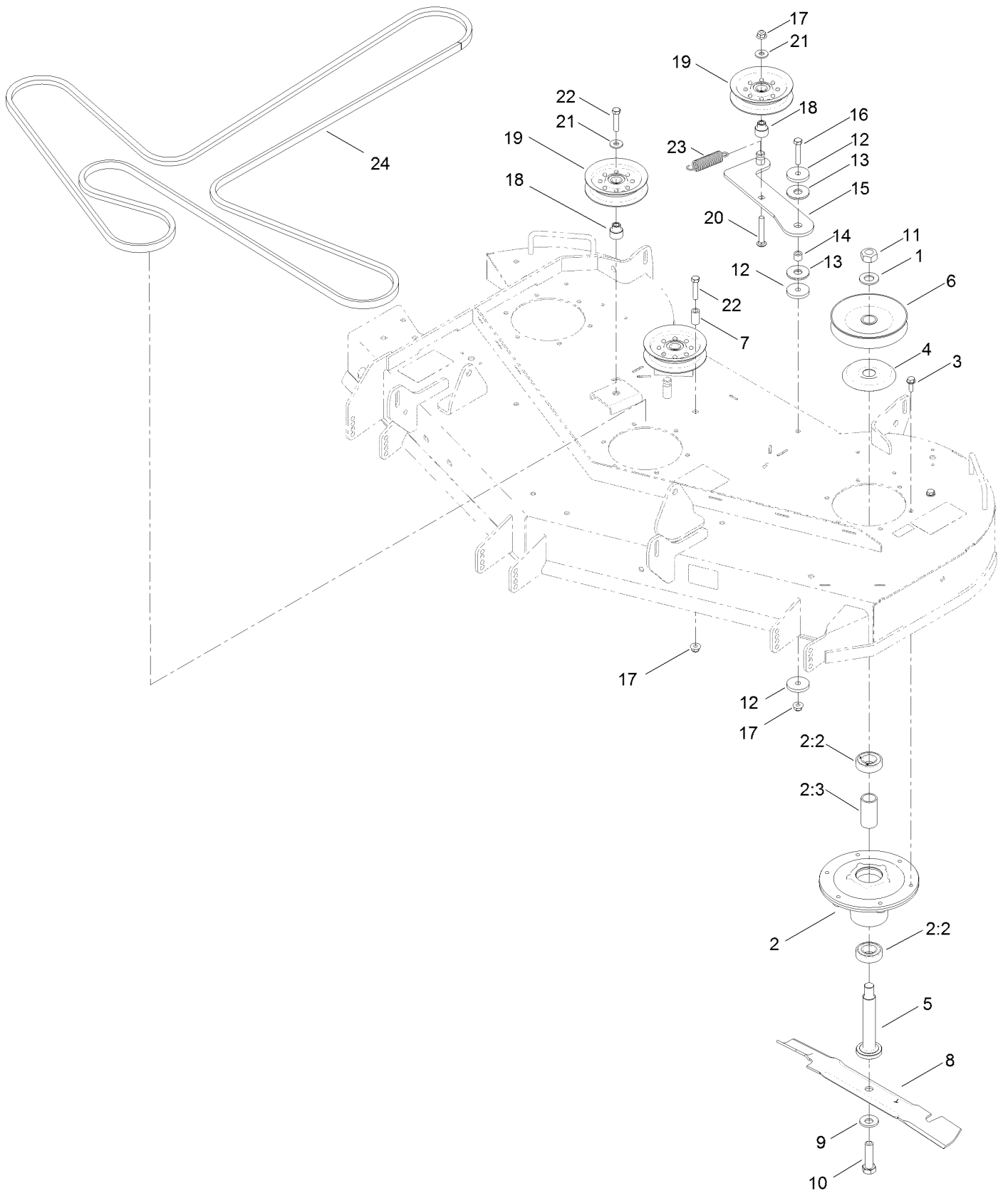
# 54 Inch Deck Assembly No. 131-4141



## 54 Inch Deck Assembly No. 131-4141 (continued)

<i>Ref.</i>	<i>Part Number</i>	<i>Qty.</i>	<i>Description</i>	<i>Ref.</i>	<i>Part Number</i>	<i>Qty.</i>	<i>Description</i>
3	130-0731	1	Decal-Danger	7	322-2	3	Screw-HH
4	132-0873	2	Decal-Danger, Deck	8	104-8300	3	Nut-Flange, NI
5	130-0765	1	Decal-Scalp, Anti	9	32144-70	1	Screw-HWHTF
6	117-1194	1	Decal-Routing, Belt				

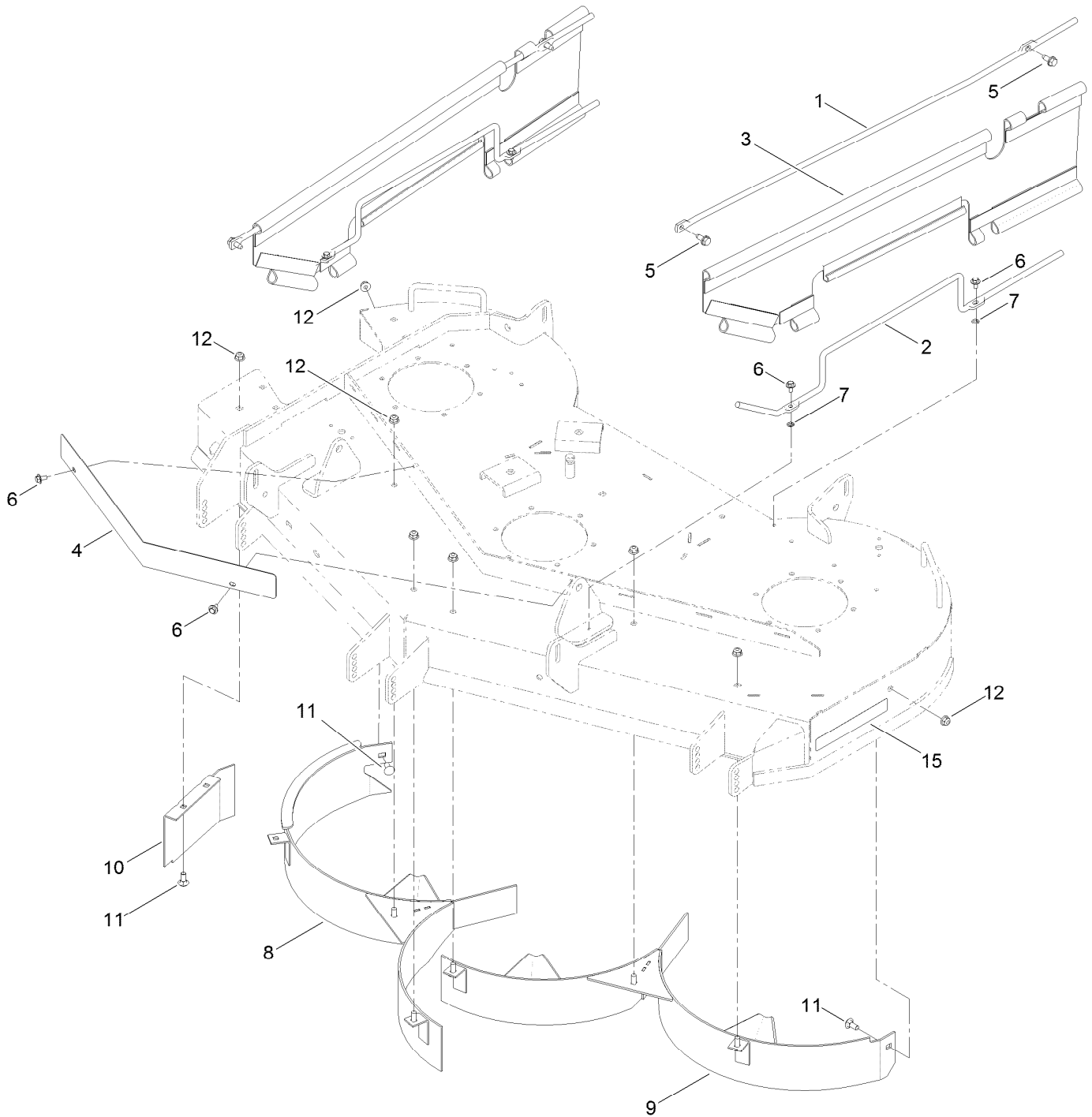
# 54 Inch Deck, Belt and Mulch Blade Assembly



## 54 Inch Deck, Belt and Mulch Blade Assembly (continued)

<i>Ref.</i>	<i>Part Number</i>	<i>Qty.</i>	<i>Description</i>	<i>Ref.</i>	<i>Part Number</i>	<i>Qty.</i>	<i>Description</i>
1	7-4150	3	Washer	12	110-9981	3	Washer-Plain
2	120-5477	3	Spindle ASM	13	114-0463	2	Washer-Friction, Composite
2:2	116-0720	2	Bearing-Ball	14	1-413088	1	Bushing-Lever, Lift
2:3	115-2641	1	Spacer-Bearing	15	115-5054	1	Arm-Idler
3	32144-41	18	Screw-Taptite	16	323-10	1	Screw-HH
4	117-7210	3	Shield-Bearing	17	104-8301	3	Nut-Flange, NI
5	115-2642	3	Shaft-Spindle	18	115-2577	3	Bushing-Idler
6	115-5018	3	Pulley	19	116-3626	3	Pulley-Idler
7	1-603401	1	Spacer-Fender	20	3231-31	1	Screw-CARR
8	115-4999-03	3	Blade-Mulch, 18.75 Inch	21	80-6990	3	Washer-Hardened
9	125-1736	3	Washer-Belleville	22	323-9	3	Screw-HH
10	51-4060	3	Screw-Blade	23	108-4056	1	Spring-Extension
11	3219-7	3	Nut-Hex	24	115-4971	1	V-Belt

# 54 Inch Deck Baffle Assembly





## 54 Inch Deck Baffle Assembly (continued)

<i>Ref.</i>	<i>Part Number</i>	<i>Qty.</i>	<i>Description</i>	<i>Ref.</i>	<i>Part Number</i>	<i>Qty.</i>	<i>Description</i>
1	131-3904	2	Rod Support, Upper	8	115-9673-03	1	Baffle-Recycler, RH
2	131-3905	2	Rod Support, Lower	9	115-9674-03	1	Baffle-Recycler, LH
3	131-3906	2	Guard-Side	10	117-7213-03	1	Guard-Baffle
4	131-3901-03	1	Shield-Front	11	3230-1	3	Bolt-CARR
5	32144-70	4	Screw-HWHTF	12	104-8300	8	Nut-Flange, NI
6	46-8560	6	Screw-HHFTF	15	119-2368	1	Decal-Recycler
7	1-803037	4	Nut-Retaining				

# Attachments and Accessories

## For 74848 TITAN ZX 5400 Zero-Turn-Radius Riding Mower

<b>Product Name</b>	<b>Model/Part</b>
54in Recycler Kit.....	117-5313
Light Kit.....	117-5317
54in/60in Striping Kit.....	117-5319
Leaf Bagging Enhancement Kit .....	117-7202
Transport Seat Hold Down Kit.....	117-7251
54in Bagger Finishing Kit (Used with 79328 Bagger) .....	121-5663
Seat Kit.....	130-0788
ROPS Conversion Kit .....	130-6850
Spark Arrester Kit .....	131-4160
Deck Lift Assist Kit.....	132-6850
Cargo Carrier.....	79032
Front Weight Kit.....	79033
Bagger Kit.....	79328

**Notes:**



**Count on it.**